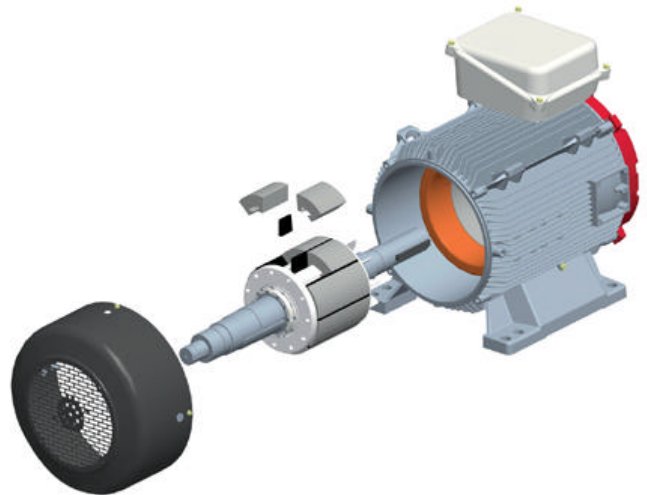


**BRUSHLESS MOTORS  
FOR AUXILIARY  
DRIVE EQUIPMENT**



**F**or many years, **LEROY-SOMER** has partnered manufacturers of refrigeration, air conditioning and braking equipment in the railway market. Experience gained with the major players in this business makes **LEROY-SOMER** the specialist in on-board motors.

As a result of the research carried out in the industrial field, the **LEROY-SOMER new drive technology using stators with distributed or segmented windings and rotors with magnets** fulfills the need for compactness, performance and reliability. These innovative drive solutions are particularly suited to the demands of on-board ventilation.

Extremely compact and light, the use of magnets with high energy content reduces the active part of the motor to a strict minimum. These reduced external dimensions therefore facilitate integration into increasingly confined places (weight reduced by a third, volume reduced by up to 40 %).

Control by electronic drives offers a new range of possibilities, in:

- Flow control
- Noise level reduction

- Noise level reduction
- Low starting current
- Energy saving

and many others.

Safeguarding our environment is one of the major challenges of our century. **LEROY-SOMER**, ISO 14001 certified, is contributing to this effort by offering **a motor efficiency close to 96%**, in this way reducing energy consumption by almost 20% compared with a traditional solution.